

The FG Wilson sound attenuated enclosures for the range of Perkins powered P450P1 to P688E1 generating sets are a result of continuing research and development by our specialist acoustic engineers. **These enclosures reduce sound levels to comply with the stage 2 levels of the European Community Directive 2000/14/EC which became effective 3 January 2006.**

The fully weatherproof enclosures incorporate internally mounted exhaust silencers and are of extremely rugged construction in order to withstand the rough handling common on many construction sites. They are designed on modular principles with many interchangeable components permitting on-site repair.

Robust/Highly Corrosion Resistant Construction

- ▶ Black finish stainless steel locks and hinges
- ▶ Zinc plated or stainless steel fasteners
- ▶ Body made from steel components treated with polyester powder coating

Excellent Access for Maintenance

- ▶ Two large doors on each side
- ▶ Radiator fill access plate
- ▶ Lube oil and cooling water drains piped to exterior of the enclosure

Security and Safety

- ▶ Control panel viewing window in a lockable access door
- ▶ Emergency stop push button (red) mounted on enclosure exterior
- ▶ Cooling fan and battery charging alternator fully guarded
- ▶ Fuel fill and battery can only be reached via lockable access doors
- ▶ Exhaust silencing system totally enclosed for operator safety

Transportability

- ▶ Tested and certified single point lifting facility
- ▶ Lifting points on baseframe

Optional Features

- ▶ Oil field type skid with dragging points and fork lift truck pockets



450 - 688 kVA Generating Set Range



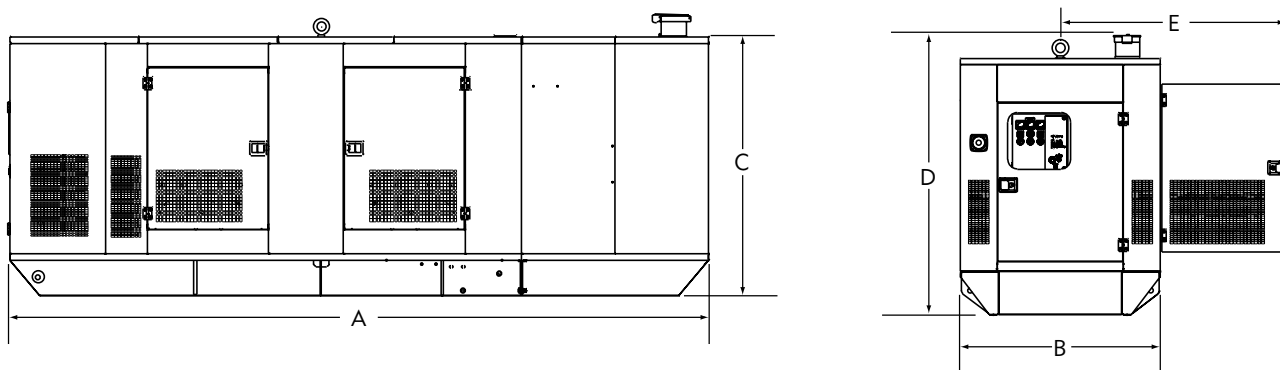
Modular Acoustic Enclosure



Sound Pressure Levels (dBA)

| Generating Set Model | LWA | 50Hz | | | | | | 60Hz | | | | | |
|----------------------|-----|------------|-----------|-----------|-----------|----------|-----------|------------|-----------|-----------|-----------|----------|-----------|
| | | 15m (50ft) | | 7m (23ft) | | 1m (3ft) | | 15m (50ft) | | 7m (23ft) | | 1m (3ft) | |
| | | 75% Load | 100% Load | 75% Load | 100% Load | 75% Load | 100% Load | 75% Load | 100% Load | 75% Load | 100% Load | 75% Load | 100% Load |
| P450P1 | 98 | 62.9 | 64.5 | 68.9 | 70.5 | 78.7 | 80.0 | - | - | - | - | - | - |
| P500E1 | 98 | 63.3 | 65.3 | 69.3 | 71.3 | 79.1 | 80.6 | - | - | - | - | - | - |
| P500P1 | 99 | 67.2 | 69.3 | 73.2 | 75.3 | 82.3 | 84.3 | - | - | - | - | - | - |
| P550E1 | 99 | 67.7 | 70.3 | 73.7 | 76.3 | 82.9 | 85.2 | - | - | - | - | - | - |
| P563P1 | - | - | - | - | - | - | - | 66.5 | 68.5 | 72.5 | 74.5 | 83.5 | 84.7 |
| P625E1 | - | - | - | - | - | - | - | 66.5 | 68.5 | 72.5 | 74.5 | 83.5 | 84.7 |
| P625P1 | - | - | - | - | - | - | - | 66.5 | 68.5 | 72.5 | 74.5 | 83.5 | 84.7 |
| P688E1 | - | - | - | - | - | - | - | 66.5 | 69.7 | 72.5 | 75.7 | 83.5 | 85.2 |

Levels in accordance with European Noise Directive (2000/14/EC)



Dimensions and Weights

| Generating Set Model | A: mm (in) | B: mm (in) | C: mm (in) | D: mm (in) | E: * mm (in) | Weight: kgs (lb) | Fuel Capacity: l (US gal) |
|----------------------|---------------|---------------|---------------|---------------|-----------------|---------------------|------------------------------|
| P450P1 | 5820 (229.1) | 1600 (63.0) | 2150 (84.6) | 2346 (92.4) | 1810 (71.3) | 5490 (12103) | 880 (232) |
| P500E1 | 5820 (229.1) | 1600 (63.0) | 2150 (84.6) | 2346 (92.4) | 1810 (71.3) | 5490 (12103) | 880 (232) |
| P500P1 | 5820 (229.1) | 1600 (63.0) | 2150 (84.6) | 2346 (92.4) | 1810 (71.3) | 5500 (12125) | 880 (232) |
| P550E1 | 5820 (229.1) | 1600 (63.0) | 2150 (84.6) | 2346 (92.4) | 1810 (71.3) | 5500 (12125) | 880 (232) |
| P563P1 | 5820 (229.1) | 1600 (63.0) | 2150 (84.6) | 2346 (92.4) | 1810 (71.3) | 5540 (12214) | 880 (232) |
| P625E1 | 5820 (229.1) | 1600 (63.0) | 2150 (84.6) | 2346 (92.4) | 1810 (71.3) | 5540 (12214) | 880 (232) |
| P625P1 | 5820 (229.1) | 1600 (63.0) | 2150 (84.6) | 2346 (92.4) | 1810 (71.3) | 5540 (12214) | 880 (232) |
| P688E1 | 5820 (229.1) | 1600 (63.0) | 2150 (84.6) | 2346 (92.4) | 1810 (71.3) | 5540 (12214) | 880 (232) |

Weight with lube oil, no coolant, no fuel.; * Clearance required on both sides



FG Wilson has manufacturing facilities in the following locations:

Northern Ireland • Brazil • China • India • USA

With headquarters in Northern Ireland, FG Wilson operates through a Global Dealer Network. To contact your local Sales Office please visit the FG Wilson website at www.FGWilson.com

